

# Datasheet

**Flush SWITCH ACTUATOR**  
**4x Output max. 5A**  
**8x Binary Inputs**  
**4x LED Outputs**  
**Art. 1630.03130/61100**



DATEC ELECTRONIC AG  
Hochbergerstrasse 60C  
4057 Basel  
Tel. +41 61 633 22 25, Fax. +41 61 633 22 27  
[www.datec.ch](http://www.datec.ch), [support@datec.ch](mailto:support@datec.ch)

Because of continuous product improvement, notice is subject to change without notification. Please always check for latest version. Refer to [www.datec.ch](http://www.datec.ch) or contact [support@datec.ch](mailto:support@datec.ch)

## Datasheet

### SWITCH ACTUATOR - Art. 1630.03130/61100

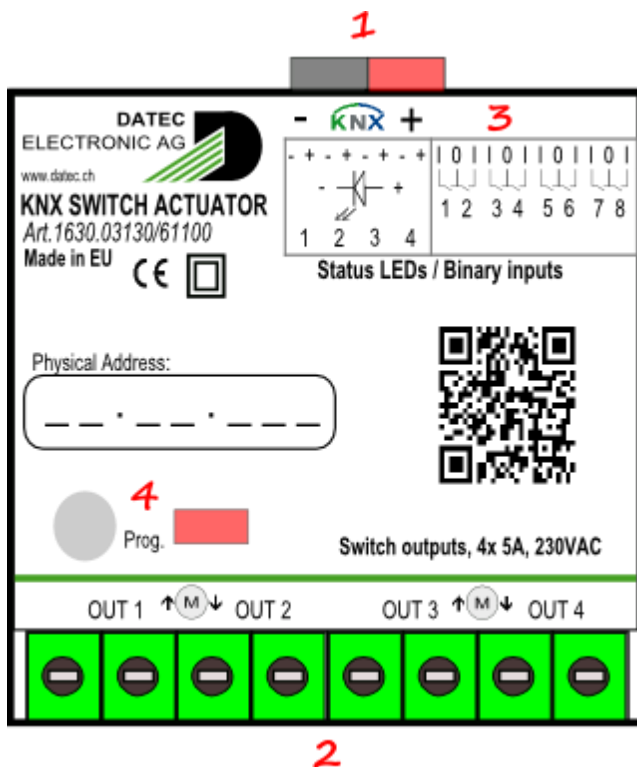
## Description

The **SWITCH ACTUATOR 4x** is a flush mounted KNX device, for lighting and shading applications in offices, hotel rooms and much more. This device is used for switching lights or controlling blinds or shutters as determined by KNX input or control systems. Also, lights and blinds/shutters can be controlled by push buttons directly connected to the **SWITCH ACTUATOR 4x** device.

Also, 4 LED's can be connected to the device, to indicate Status of relays or to be driven by KNX telegrams.

## Functional description

- 4x Switching outputs
- All 4 outputs are independent, only dry contacts, so can be used for 230VAC, but also for lower voltage
- Each single output can be used to switch loads (max. 4 channels)
- Combining 2 outputs can be used for driving blinds or shutters (max. 2 blinds or shutters)
- No need of mains voltage for application download
- 8 local binary inputs, 3.3VDC with 10kOhm series resistor provided by device. Needs only dry contact
- 4 outputs for status LED's, 3.3VDC with 2.1kOhm series resistor provided by device. Needs only low current LED
- Flush mounted
- Operating temperature -5°C ... +45°C
- Dimension approx. 46.5 x 46.5 x 27mm
- Weight approx. 60g



#### Terminals

1. KNX bus
2. Outputs

#### Connectors

3. Local binary inputs and status LED's

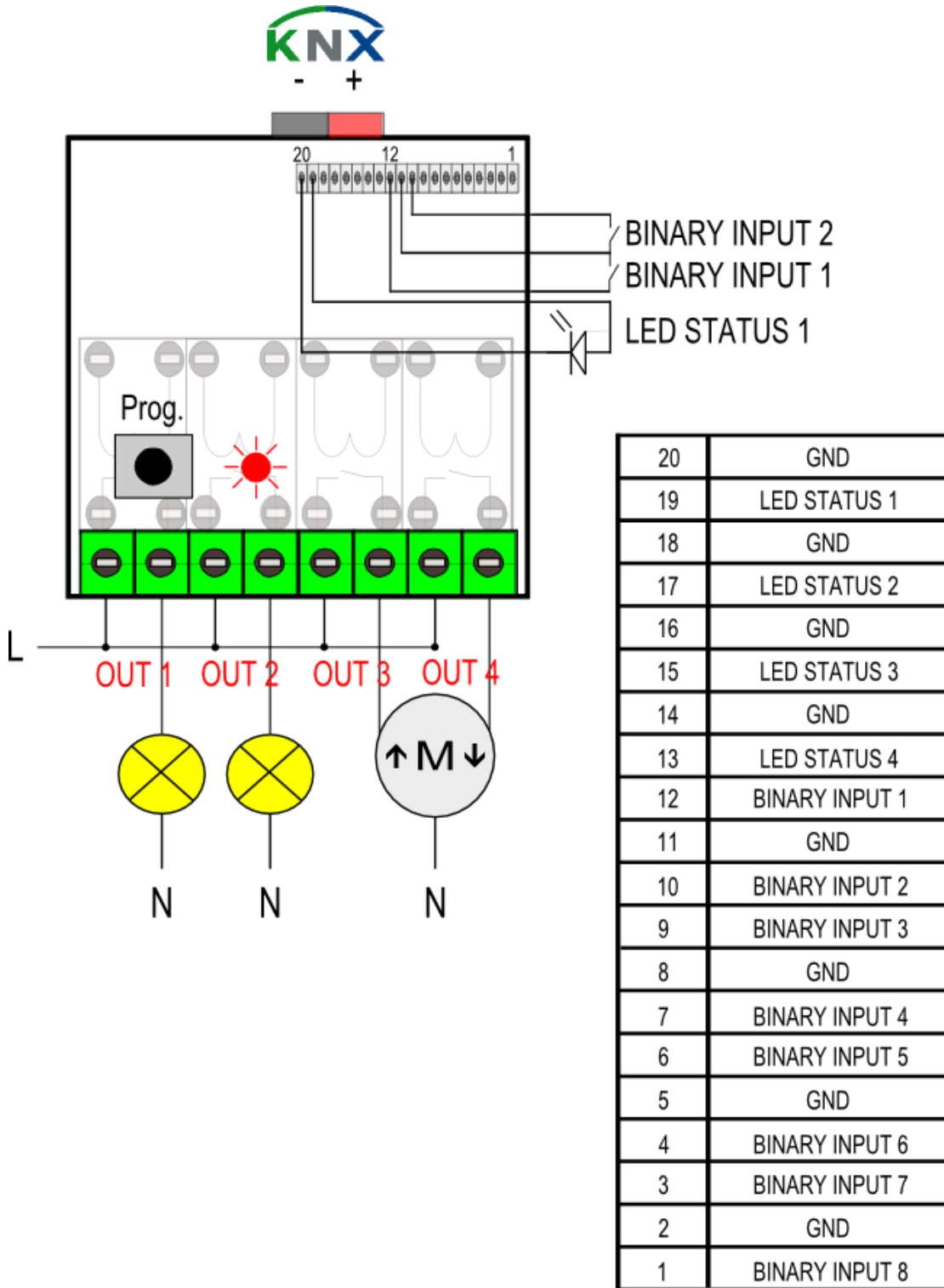
#### Button and LED

4. KNX programming button and LED

# Datasheet

SWITCH ACTUATOR - Art. 1630.03130/61100

Application example: SWITCH ACTUATOR for switching 2x and driving 1 shutter or blind



## Datasheet

### SWITCH ACTUATOR - Art. 1630.03130/61100

## Technical Data

<b>Housing</b>	Approx. 46.5 x 46.5 x 27mm
Mounting	To be flush mounted
Housing material	ABS V0
Protection degree	IP20
Weight	Approx. 0.060kg
<b>Operating temperature</b>	-5°C ... +45°C
<b>Terminals relay outputs</b>	Screw terminals, 17.5A 250V
Wire section	1.5mm <sup>2</sup> (16AWG)
Screw	M3
Maximum torque	0.5Nm (4.5in.lbs)
Clamp opening size	2.5 x 2.1mm
<b>Terminals KNX bus</b>	
KNX	Pluggable micro terminal, Red/Black, 4 pole PUSH WIRE For conductor solid wire 0.6-0.8 mm <sup>2</sup>
<b>KNX</b>	Max. 30mA current consumption from bus (all outputs active)
<b>Local binary input / Status LED's output</b>	
Voltage supplied from device to binary inputs	3.3VDC, max. 0.33mA (10kOhm internal)
Voltage supplied from device to LED outputs	3.3VDC, 2.1kOhm internal
Cabling	Pluggable 20 wire cable, 100mm length, AWG28
<b>Relay outputs</b>	NO dry contacts
Contact rating (resistive load)	5A, 250VAC / 5A, 30VDC
Contact material	AgNi
Maximum switching power	1250VA / 150W
Dielectric strength	1000VAC 1minute between open contacts
<b>EMC</b>	EN 61000-4-2    EN 61000-4-3
	EN 61000-4-4    EN 61000-4-5
	EN 61000-4-6    EN 61000-4-11